

Statement on the influence of locks
manufactured by ABLOY OY to the fire
resistance of double leaf glazed metal doors
with narrow stile

| Requested by: ABLOY OY

Requested by Abloy Oy
P.O. Box 108 (Wahlforssinkatu 20)
FIN-80101 JOENSUU, Finland

Order E-mail on 15 March 2004 by Mr. Esa Parjanen from Abloy Oy

Contact person at VTT VTT TECHNICAL RESEARCH CENTRE OF FINLAND
VTT BUILDING AND TRANSPORT
Matti Immonen
Kivimiehentie 4
P.O. Box 1803, FIN-02044 VTT, Finland
Tel. + 358 9 45678081
Fax + 358 9 4564815
E-mail: Matti.Immonen@vtt.fi

Statement on the influence of locks manufactured by ABLOY OY to the fire resistance of double leaf glazed metal doors with narrow stile

Request for comment The client requested a statement concerning influence of the lock types to the fire resistance of double leaf glazed metal doors with narrow stile. The lock types are presented in following table No. 1.

Table 1. The lock types

Serie	The lock types	Backset	Distance between cylinder and spindel	Operating principle
EL42x	EL420 and EL422	30 to 45 mm	92 mm PZ...94 mm RZ	Motor lock
EL46x	EL460, EL461, EL462 and EL463	30 to 45 mm	92 mm PZ...94 mm RZ	Solenoid lock
EL26x	EL260 and EL262	30 to 45 mm	92 mm PZ...94 mm RZ	Mechanical lock with microswitch
EL06x	EL060 and EL062	30 to 45 mm	92 mm PZ...94 mm RZ	Mechanical lock

Test results Following test reports of VTT support this statement:

- Test report No. RTE4194/03
- Test report No. RTE367/04

Statement

We state as our opinion that if the lock types EL42x, EL46x, EL26x and EL06x are used in the double leaf glazed metal doors with narrow stile so the lock do not decrease classification of the door. The locks can be used in the doors that are classified to the Classes EI₂ 15 to EI₂ 60 according to European standard EN 13501-2 (tested according to European standard SFS-EN 1634-1).

All locks shall be fixed according to the installation instruction given by Abloy Oy

In appendices number 1 to 3 is presented general drawings of the locks and installation drawing for hardware of the locks. Complete drawings of the locks are stored in the archive of VTT with this statement.


Annotation

If any changes are made to the construction of the locks this statement is not valid.

This statement is not approval of product but evaluation of fire resistance of these constructions.

Espoo, 17 March 2004


Taru Haimala
Group Manager


Matti Immonen
Research Engineer

APPENDICES

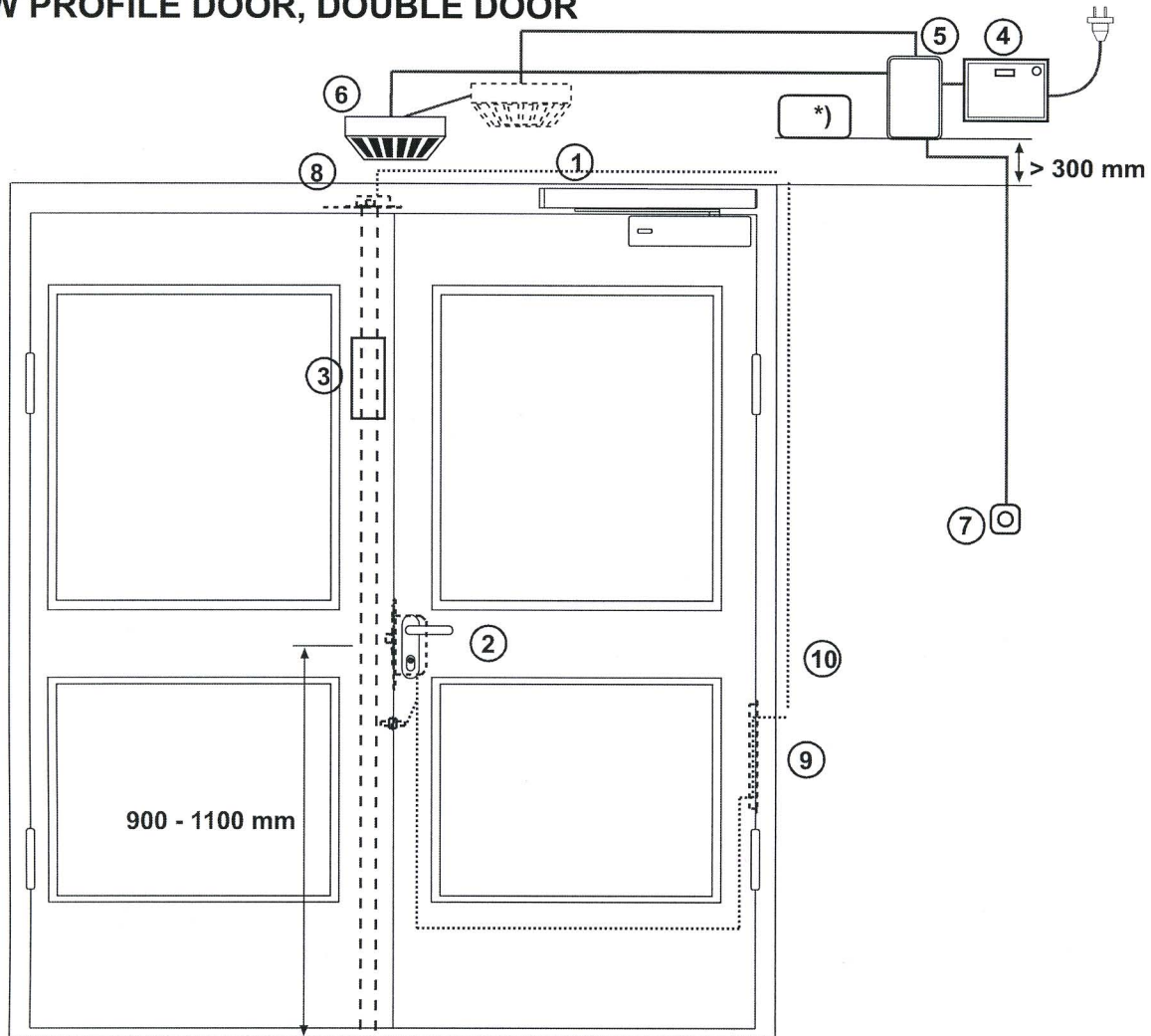
Appendix 1	Installation drawing
Appendix 2	Drawing of lock types EL420 and EL422
Appendix 3	Drawing of lock types EL460, EL461, EL462, EL463, EL060, EL062, EL260 and EL262

DISTRIBUTION

Client, 2	Original
VTT/RTE10/Archive, 1	Original

3-RTEU107/107LAUSUNNO/MIM

NARROW PROFILE DOOR, DOUBLE DOOR

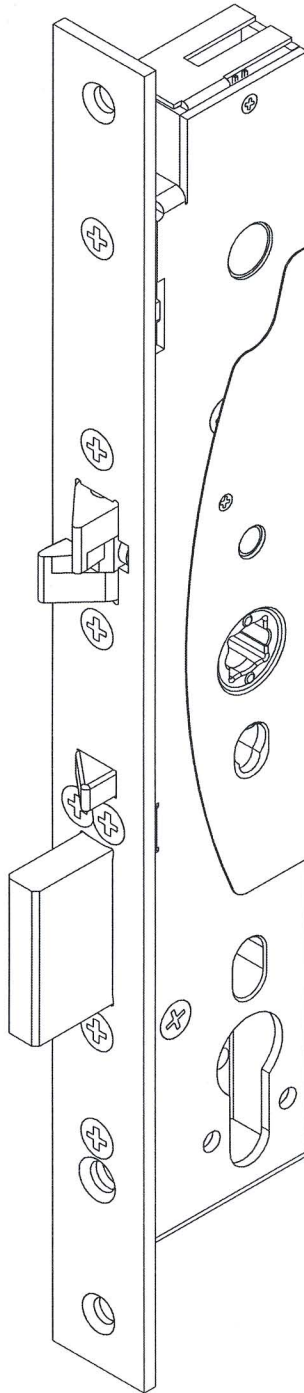


EQUIPMENT:

- | | | |
|--|---|--|
| <p>① FIRE DOOR CLOSING SYSTEM
- DC250 + FD450
DC106 + DC103</p> <p>② LOCK CASE
- EL420
CONTROL UNIT*)
- EA420
CYLINDER
- CY305
HANDLE
- IKON S6B6
STRIKE PLATE
- EA324 Left/Right
DOOR CONTACT
- EA500</p> | <p>③ QUICK BOLT
- PRIMO 3000</p> <p>④ POWER UNIT
- EA701</p> <p>⑤ CONNECTION BOX
- 8520</p> <p>⑥ SMOKE DETECTOR + RELAY
- 7451 optical + 7453 relay
- 7452 ion + 7453 relay</p> <p>⑦ DOOR CLOSING SWITCH
- 7462</p> | <p>⑧ MICRO SWITCH KEEP
- 8400</p> <p>⑨ LEAD COVER
- EA280</p> <p>⑩ CABLE
- EA218</p> |
|--|---|--|

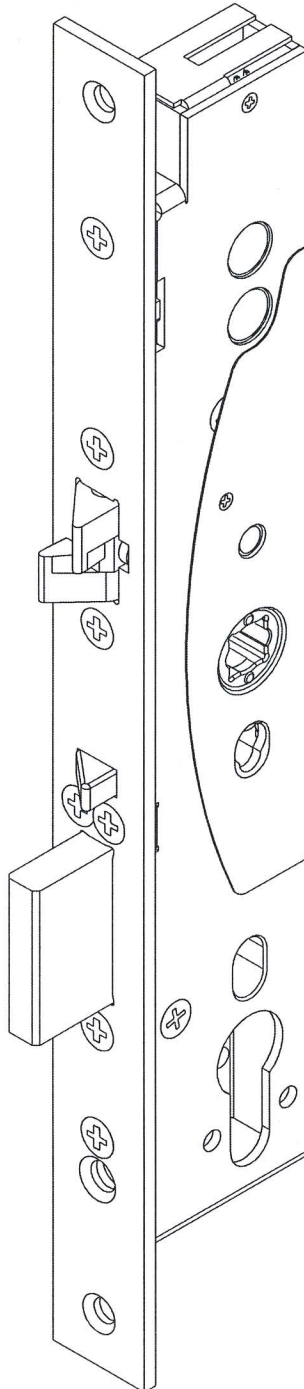
APPENDIX NO.	1	1(1)
REPORT NO.	DTE 867/04	
SIGNATURE	<i>M. Puumala</i>	
VTT BUILDING AND TRANSPORT		

ABLOY® EL420, EL422



APPENDIX NO.	<u>2</u>	<u>1(1)</u>
REPORT NO.	<u>QTE867/04</u>	
SIGNATURE	<u>M. Lammunen</u>	
VTT BUILDING AND TRANSPORT		

**ABLOY® EL460, EL461, EL462, EL463,
ELO60, ELO62, EL260, EL262**



APPENDIX NO.	<u>3</u>	<u>1(1)</u>
REPORT NO.	<u>RTE867/04</u>	
SIGNATURE	<u>M. Jussila</u>	
VTT BUILDING AND TRANSPORT		